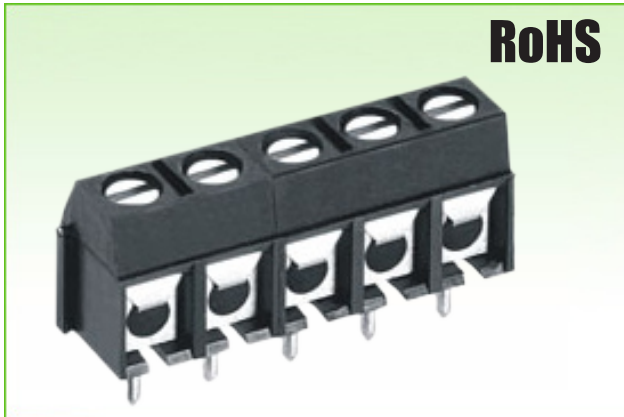
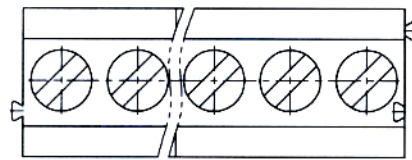


3.50mm Pitch

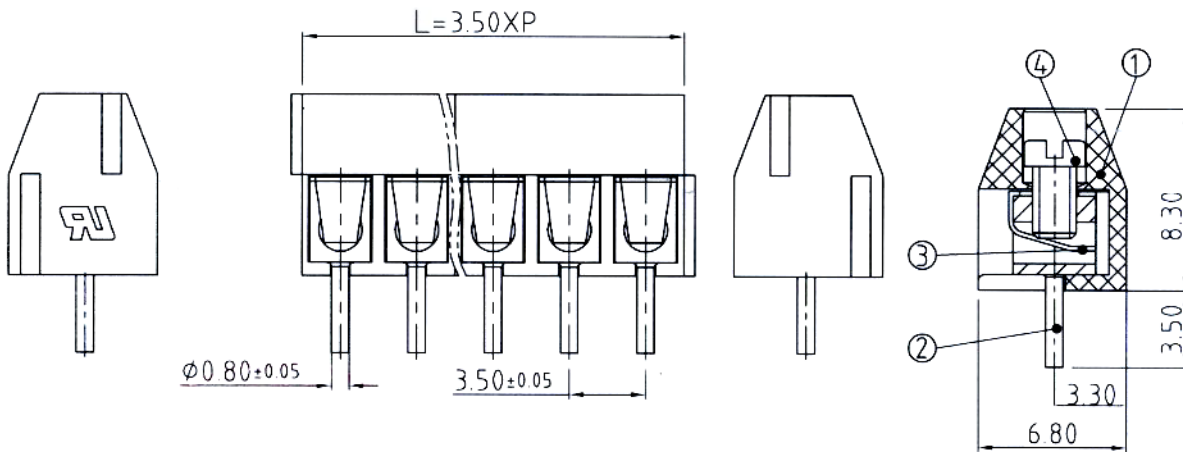


	<b>cRU<sup>®</sup> US</b>
Rated Voltage	300V
Rated Current	6A
Insulation Withstand Voltage	AC 2000V / Min
Insulation Resistance	500MΩ or More at DC500V
Temperature Range	-40°C to +105°C
Wire Range	16-24 AWG
Screw Torque	0.2Nm

Units: mm



- ① Housing: PA66/6(V0)
- ② Solder Pin: Brass, Tin Plated
- ③ Spring Coil: Bronze, Nickel Plated
- ④ Screw: Steel, Zinc Plated



**Part Numbering System:**

**101-350V - XXP - XXX**

①      ②      ③

# Pin	2	3	4	5	6	7	8	9	10	11	12	13
Dim L	7.0	10.5	14.0	17.5	21.0	24.5	28.0	31.5	35.0	38.5	42.0	45.5
# Pin	14	15	16	17	18	19	20	21	22	23	24	
Dim L	49.0	52.5	56.0	59.5	63.0	66.5	70.0	73.5	77.0	80.5	84.0	

- ① Series
- ② Number of Poles: 02, 03, 04, ..., 24
- ③ Insulator Color: BLK = Black